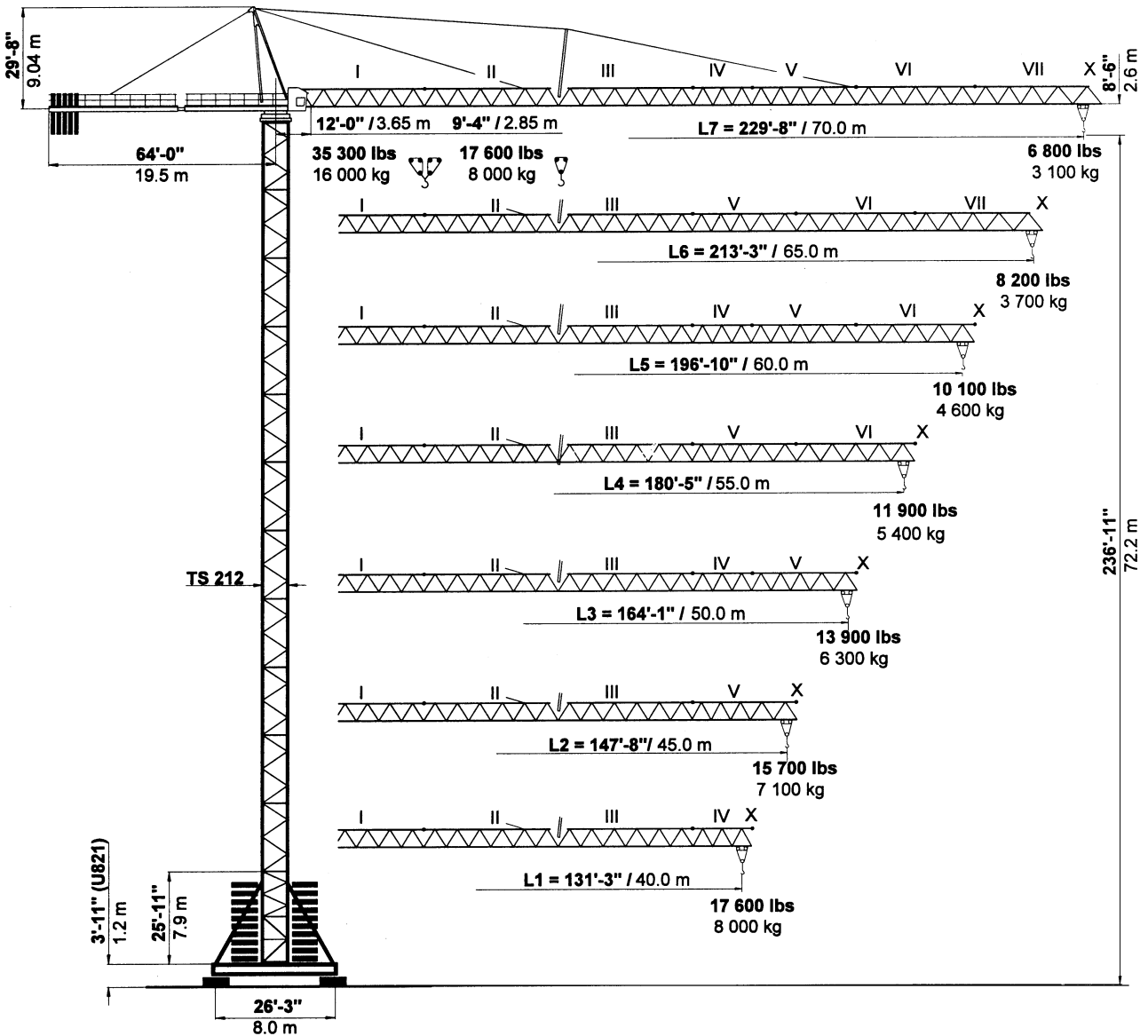




# PEINER SK 315

Hammerhead Tower Crane  
17,600-35,300 lbs. (8-16 mt)  
Lifting Capacity

## SPECIFICATIONS

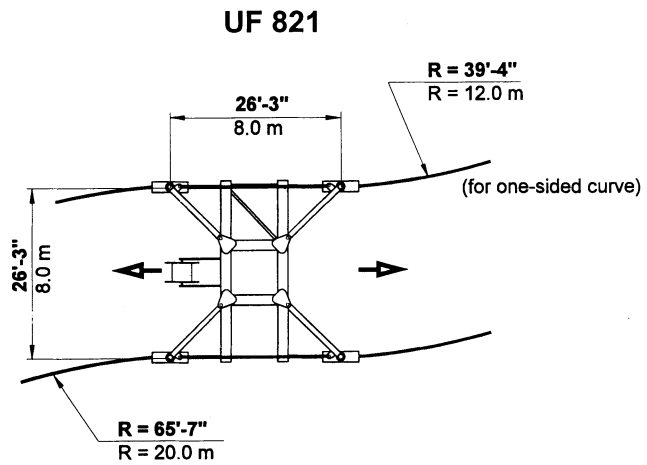
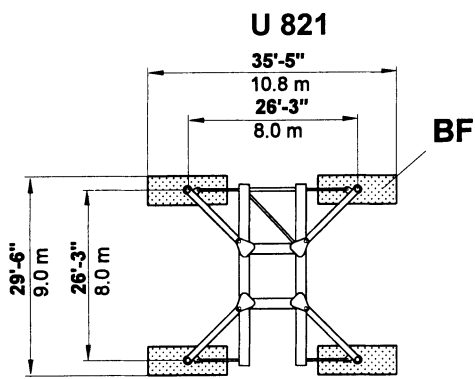
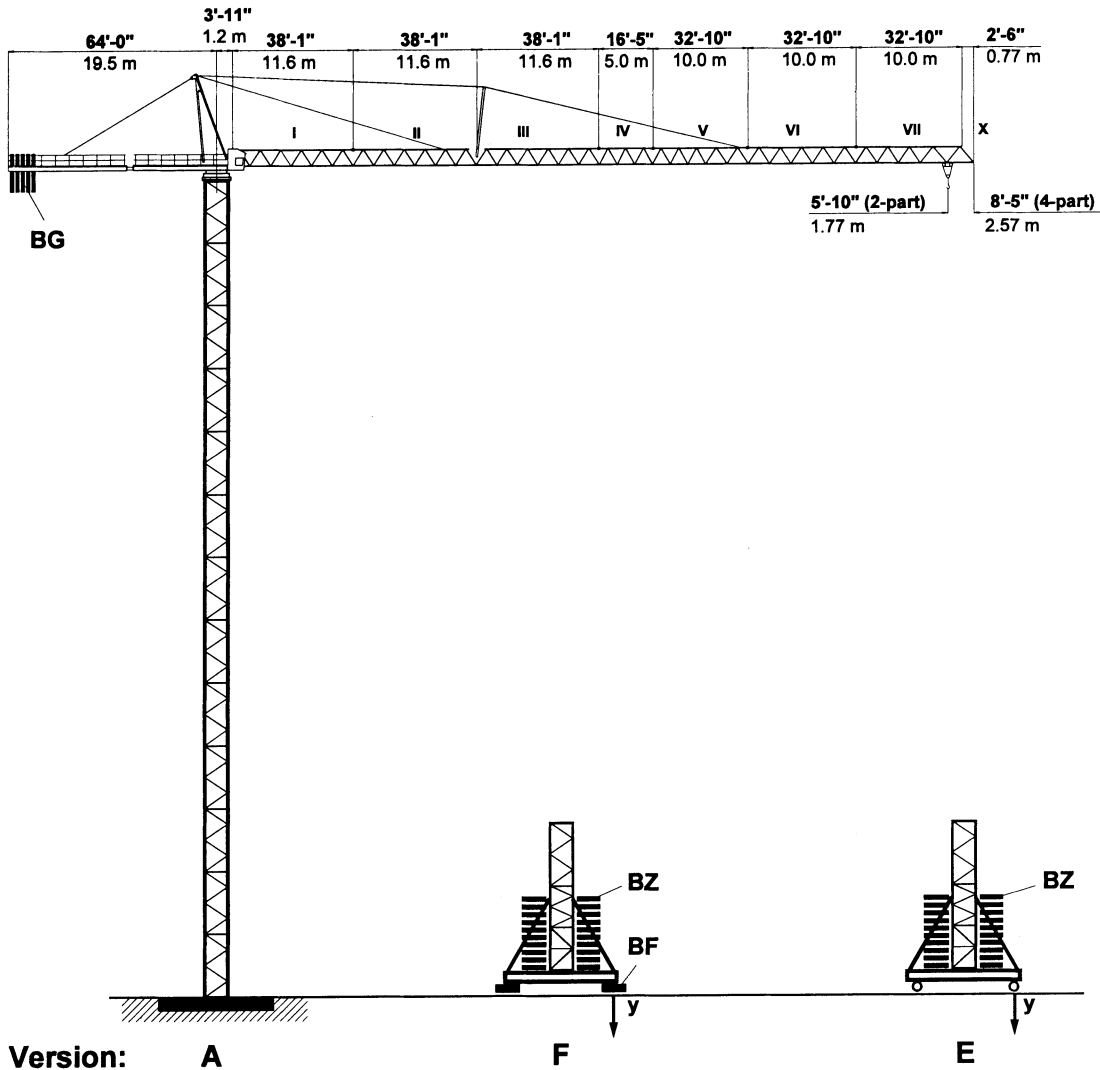


simple, available and  
cost effective™

Machines shown may have optional equipment.

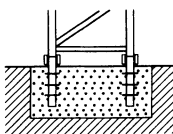
# PEINER SK 315

Combinations of tower section, hook heights, forces acting per corner, base ballast

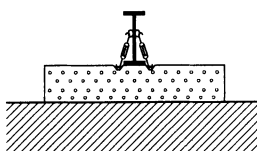


## Ground support

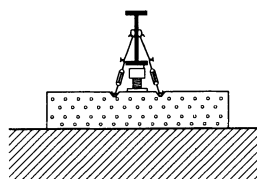
Version: A



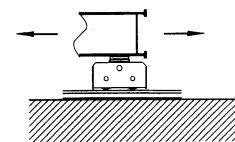
F



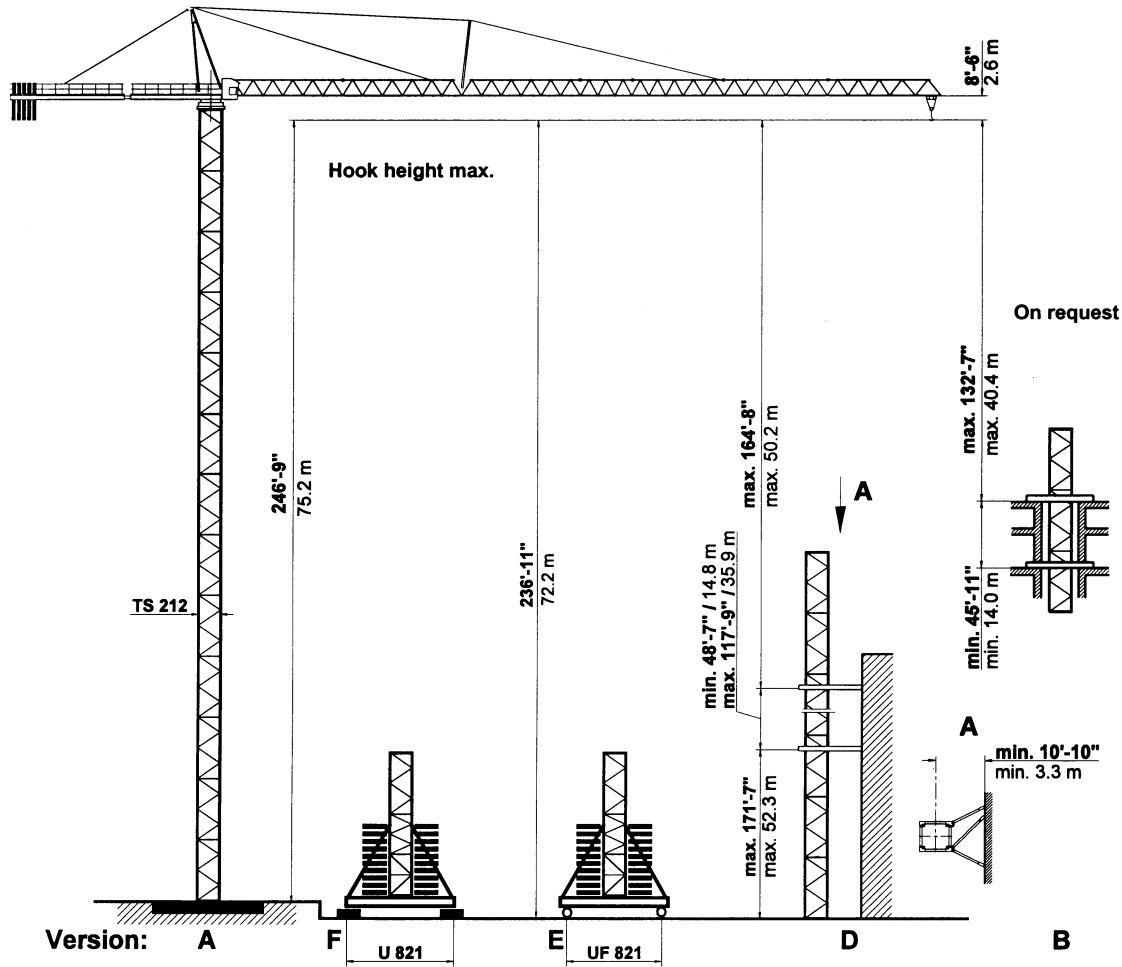
F / SP



E



# PEINER SK 315 Tower TS 211



| TS 212                                       | Version A                                  | Version F                    |   |             | Version E                  |                |                                 |                        |                |  |
|--|--|------------------------------|---|-------------|----------------------------|----------------|---------------------------------|------------------------|----------------|--|
| Tower  | HH   | Tower                        | HH  | BZ + BF     | in service                 | out of service | BZ                              | in service             | out of service |  |
| TS 212.1                                     | ft<br>m                                    | TSV 212<br>TS 212.1          | ft<br>m                                     | kips / t    | kips / kN                  | kips / kN      | kips / t                        | kips / kN              | kips / kN      |  |
| 13 x TS 212.1                                | 246'-9" <sup>**</sup><br>75.2 <sup>*</sup> |                              |   |             |                            |                |                                 |                        |                |  |
| 12 x TS 212.1                                | 227'-4" <sup>**</sup><br>69.3 <sup>*</sup> | 1 x TSV 212<br>11 x TS 212.1 | 236'-11" <sup>**</sup><br>72.2 <sup>*</sup> | 212.0<br>96 | 204<br>909                 | 279<br>1243    | 198.0<br>90                     | 212<br>942             | 282<br>1253    |  |
| 11 x TS 212.1                                | 208'-0" <sup>**</sup><br>63.4 <sup>*</sup> | 1 x TSV 212<br>10 x TS 212.1 | 217'-6" <sup>**</sup><br>66.3 <sup>*</sup>  | 168.0<br>76 | 186<br>826                 | 240<br>1066    | 154.0<br>70                     | 192<br>856             | 242<br>1075    |  |
| 10 x TS 212.1                                | 188'-8" <sup>**</sup><br>57.5 <sup>*</sup> | 1 x TSV 212<br>9 x TS 212.1  | 198'-2" <sup>**</sup><br>60.4               | 146.0<br>66 | 173<br>770                 | 203<br>901     | 132.0<br>60                     | 179<br>797             | 204<br>909     |  |
| 9 x TS 212.1                                 | 169'-4" <sup>**</sup><br>51.6              | 1 x TSV 212<br>8 x TS 212.1  | 178'-10" <sup>**</sup><br>54.5              | 124.0<br>56 | 161<br>715                 | 169<br>751     | 88.0<br>40                      | 161<br>715             | 169<br>754     |  |
| 8 x TS 212.1                                 | 149'-11" <sup>**</sup><br>45.7             | 1 x TSV 212<br>7 x TS 212.1  | 159'-5" <sup>**</sup><br>48.6               | 101.0<br>46 | 149<br>661                 | 145<br>645     | 88.0<br>40                      | 154<br>683             | 170<br>654     |  |
| 7 x TS 212.1                                 | 130'-7" <sup>**</sup><br>39.8              | 1 x TSV 212<br>6 x TS 212.1  | 140'-1" <sup>**</sup><br>42.7               | 101.0<br>46 | 142<br>633                 | 128<br>569     | 66.0<br>30                      | 141<br>629             | 124<br>553     |  |
| 6 x TS 212.1                                 | 111'-3" <sup>**</sup><br>33.9              | 1 x TSV 212<br>5 x TS 212.1  | 120'-9" <sup>**</sup><br>36.8               | 101.0<br>46 | 136<br>607                 | 112<br>499     | 66.0<br>30                      | 135<br>600             | 108<br>482     |  |
| 5 x TS 212.1                                 | 91'-10" <sup>**</sup><br>28.0              | 1 x TSV 212<br>4 x TS 212.1  | 101'-5" <sup>**</sup><br>30.9               | 101.0<br>46 | 131<br>582                 | 98<br>435      | 66.0<br>30                      | 129<br>573             | 94<br>418      |  |
| 4 x TS 212.1                                 | 72'-6" <sup>**</sup><br>22.1               | 1 x TSV 212<br>3 x TS 212.1  | 82'-0" <sup>**</sup><br>25.0                | 101.0<br>46 | 126<br>559                 | 85<br>376      | 66.0<br>30                      | 123<br>548             | 81<br>359      |  |
| 3 x TS 212.1                                 | 53'-2" <sup>**</sup><br>16.2               | 1 x TSV 212<br>2 x TS 212.1  | 62'-8" <sup>**</sup><br>19.1                | 101.0<br>46 | 120<br>536                 | 80<br>356      | 66.0<br>30                      | 118<br>523             | 75<br>335      |  |
| 2 x TS 212.1                                 | 33'-9" <sup>**</sup><br>10.3               | 1 x TSV 212<br>1 x TS 212.1  | 43'-4" <sup>**</sup><br>13.2                | 101.0<br>46 | 116<br>515                 | 80<br>356      | 66.0<br>30                      | 112<br>500             | 75<br>335      |  |
| <b>Foundation</b>                            |  |                              |   |             | <b>Stationary base</b>     |                |                                 | <b>Travelling base</b> |                |  |
| 25'-7" x 25'-7" x 5'-7"<br>7.8 x 7.8 x 1.7 m |  |                              |   |             | U 821                      |                |                                 | UF 821                 |                |  |
| <b>Anchor stools</b>                         |  |                              |   |             | <b>BF</b>                  |                | <b>BZ</b>                       |                        | <b>Bogie</b>   |  |
| 4 x FF 212                                   |  |                              |   |             | 4 x 8.82 kips<br>4 x 4.0 t |                | block 11.02 kips<br>Block 5.0 t |                        | Curve<br>F 500 |  |

If TSK 212 section is used the hook height is increased by 6'-7" (2 m).

\* Lower climbing section after erection.

TS 212.1 = 19'-4 1/4" / 5.9 m

TSV 212 = 25'-11" / 7.9 m

TSK 212 = 6'-7" / 2.0 m



